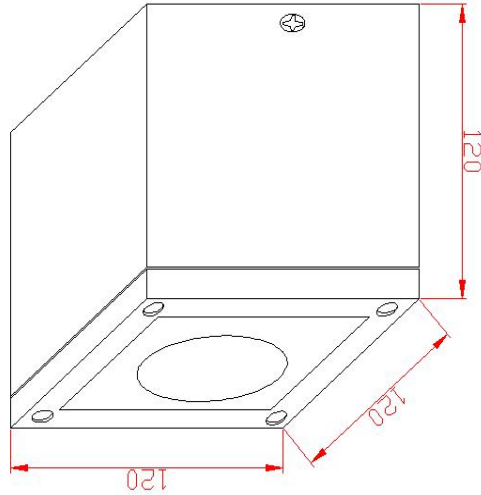


## DOWN CEILING LIGHT DATASHEET

### 1. PICTURE AND DIMENSION:



### 2. DESCRIPTION AND SPECIFICATION:

ITEM NO: 9730.15.65.30 .

. ITEM NAME : DOWN CEILING LIGHT

. MATERIAL: ALUMINUM BODY + TEMPERED GLASS

. LAMP: 10W CREE COB

. CCT:3000K

. 80LUM/W

. DRIVER: MW DRIVER

. DIMENSION: 120\*120\*120MM

. INPUT VOLTAGE: AC220V 50/60HZ

. FINISH: OUTDOOR SATIN DARK GREY

. IP65

. WITH 25CM RUBBER 3\*0.75MM<sup>2</sup>CABLE

. 304 SS SCREW OUTSIDE

. 5 YEAR WARRANTY

Very thanks you to choose our products. Before install this product, pls carefully read this installation instruction, and keep it for the future reference

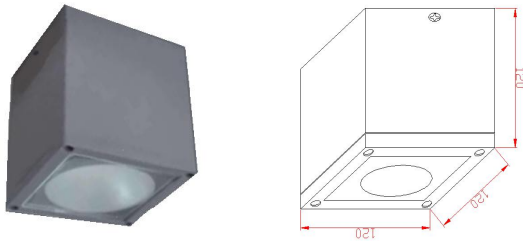
### Outdoor Down Ceiling Light Manual of user

#### Summary

- .Base function: Outdoor Down Ceiling light
- .Using place : Down Ceiling
- .Techinal parameter:

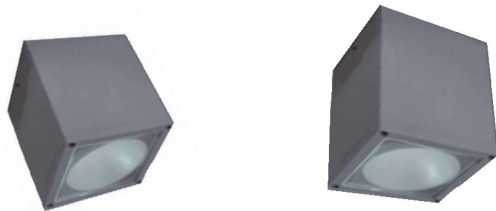
Model no	Voltage	Frequency	Product Size	Power	LUM	CCT	IP
9730.15.65.30	AC220-240V	50/60HZ	120*120*120MM	15W	1209lm	3000K	65

#### Product Image and dimension



#### Warning using and installation in according with use of manual

- .The input volatge should no exceed the rate voltage range(Rate voltage: AC220-AC240V 50/60HZ)
- .The Down ceiling light can not be installed in the following palce:



**Inclined place**

**Unfixed Ceiling Board**

- .It is not possible to install the down ceiling light above high temperature object.
- .The Down ceiling light is not dimmed and cant not be used with dimmer
- .Inspection and repair , pls entrust a professional to operate.
- .When the Down ceiling light fails, pls cut off power quickly and link with manufacture.

#### Installation

- .Take out the product from the inner box.
- .Disassemble the bracket from the light and fix the bracket on the ceiling by 2pcs screws from accessories
- .Link the power line in the connector, if connection is wrong, it is easy to casue fire, so firstconnect the GND before connect power
- . Install the light on the bracket by 2pcs screws

